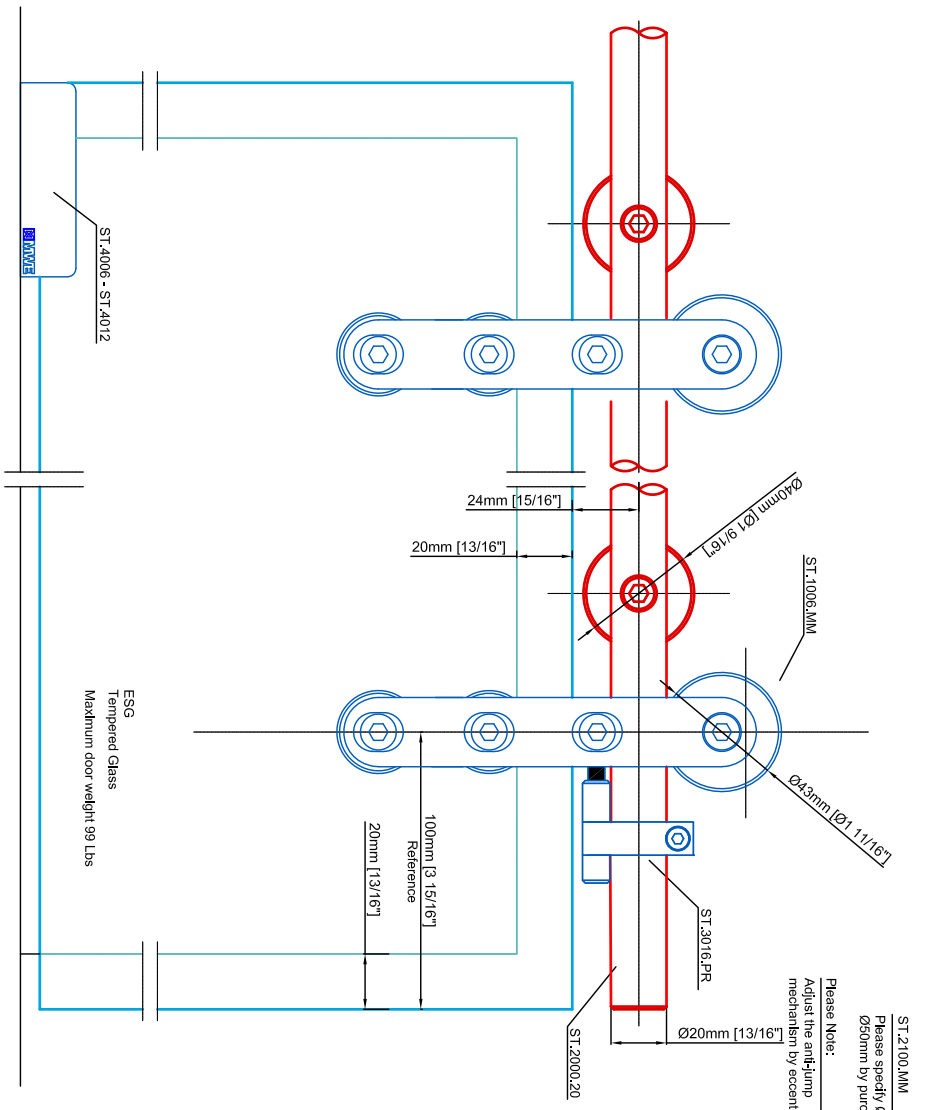


Technical drawings are subject to change without notice.
All millimeter dimensions are exact and supersede inch conversions.



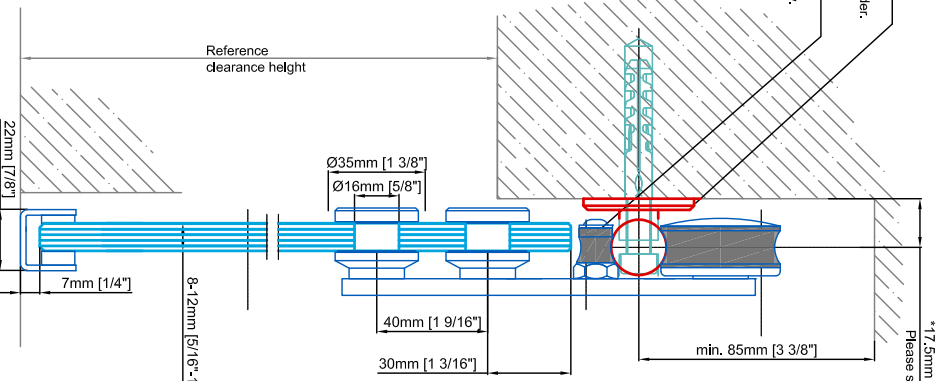
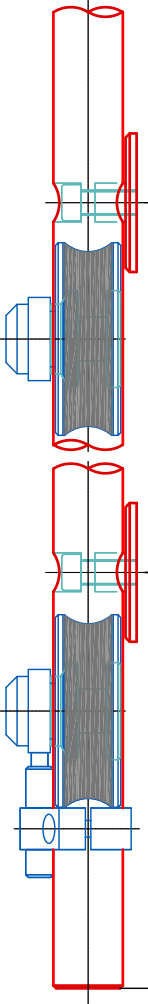
ST.2100.MM
Please specify Ø40 or Ø50mm by purchase order.

Please Note:
Adjust the anti-lump mechanism by eccentric screw.

ESG
Tempered Glass
Maximum door weight 99 Lbs

See Details ST.2000
Reference

150mm [5 7/8"]
Reference



*17.5mm [11/16"]
Please specify by purchase order.

(*) ST.2100.MM Projection (center rail to Wall)
17.5mm [11/16"]
17.5mm [11/16"]
31mm [1 1/4"]
41mm [1 5/8"]

MWE wheel assemblies are suitable for all US standard door thicknesses!
Specify door thickness on purchase order.
Projection of center rail to wall will be calculated.

Minimax ST.1006.MM

Date Prepared: January 2020

Prepared By: CDA



LUXURY
GLASS & HARDWARE

www.luxuryglassandhardware.com