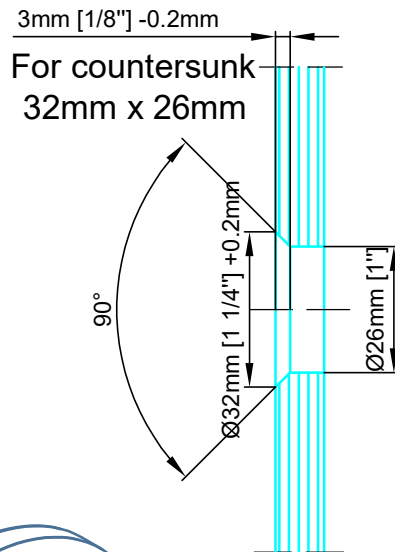
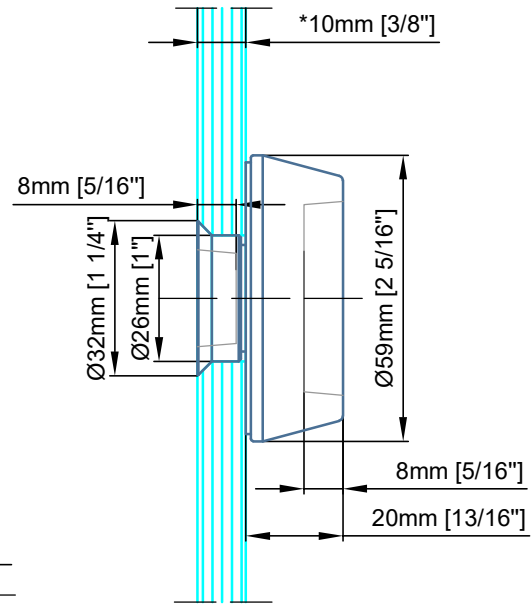
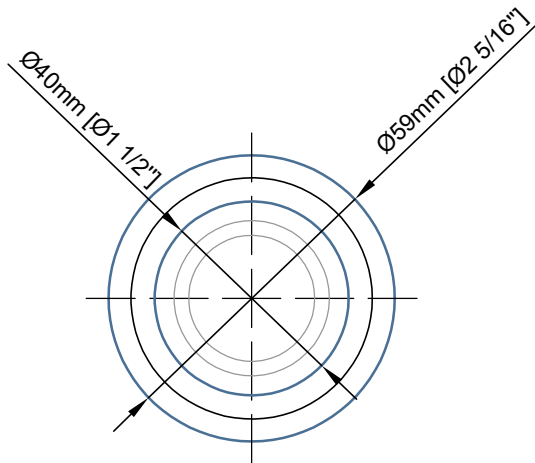
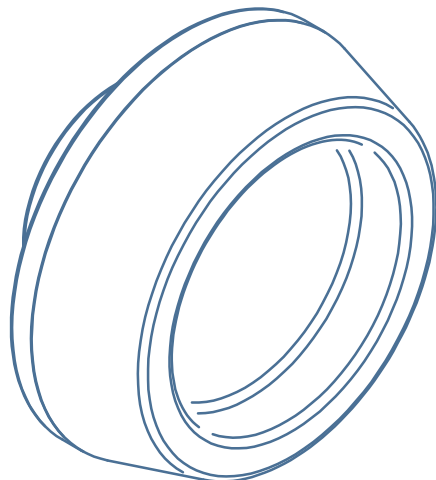


Technical drawings are subject to change without notice. All millimeter dimensions are exact and supersede inch conversions.

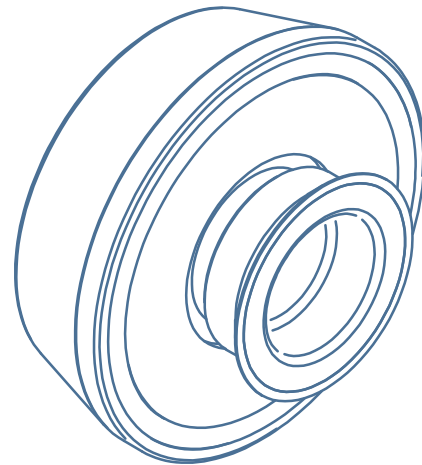
Glass to be tempered



*Available for:
 8mm [5/16"]
 10mm [3/8"]
 12.7mm [1/2"] glass thickness



Front View



Back View

GR.3226 cup pull *(for glass doors)*

