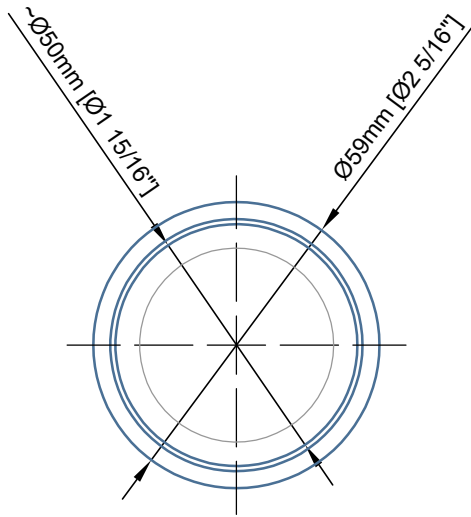
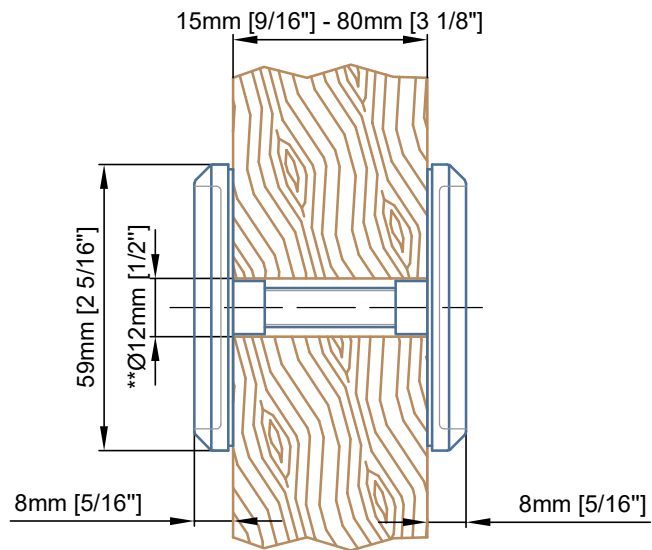
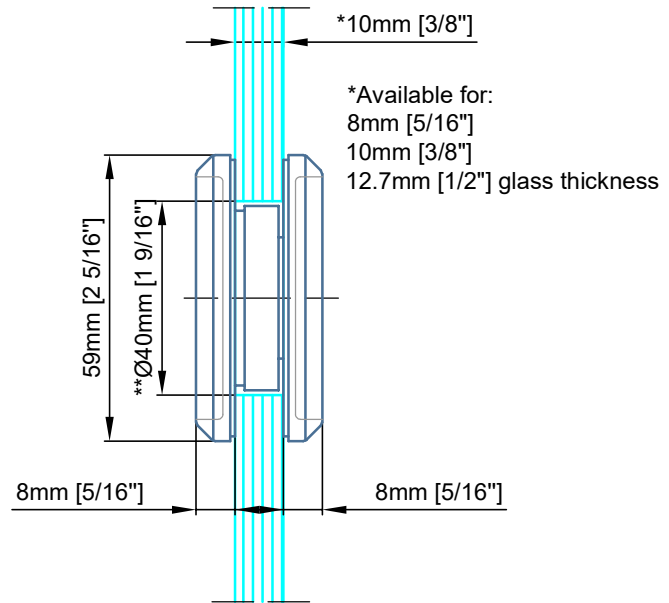


Technical drawings are subject to change without notice. All millimeter dimensions are exact and supersede inch conversions.

Glass to be tempered



**Door Preparation / Drilling



GR.5905 cup pull (for wood or glass doors)

Date Prepared: Nov 2018

Prepared By: CDA



LUXURY
GLASS & HARDWARE

www.luxuryglassandhardware.com