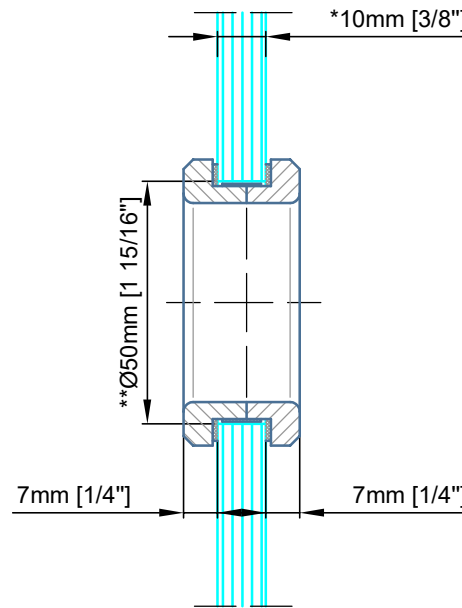
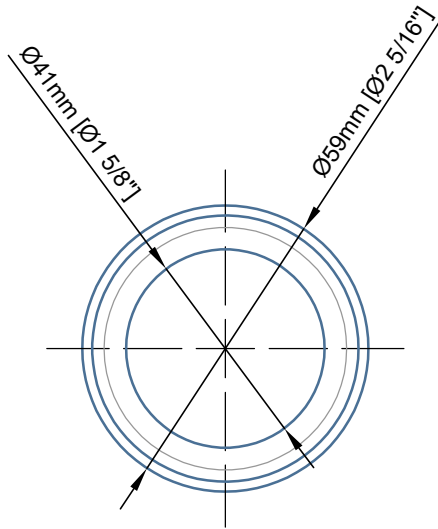


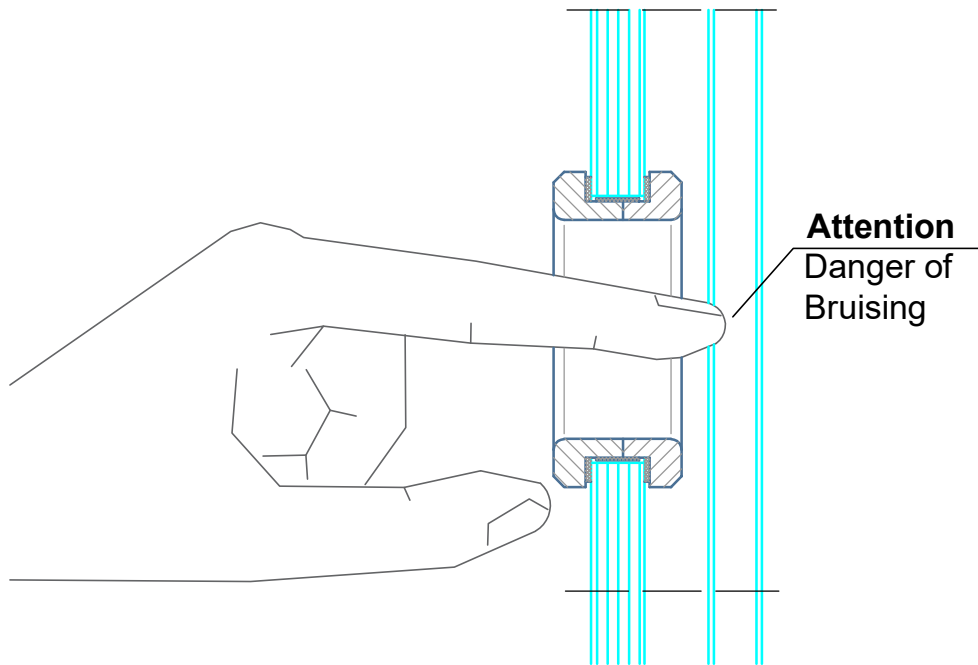
Technical drawings are subject to change without notice. All millimeter dimensions are exact and supersede inch conversions.

**Glass to be tempered**

\*Available for:  
8mm [5/16"]  
10mm [3/8"]  
12.7mm [1/2"] glass thickness



\*\*Door Preparation / Drilling



**GR.5941 cup pull** (for glass doors)

Date Prepared: Nov 2018

Prepared By: CDA



**LUXURY**

GLASS & HARDWARE

[www.luxuryglassandhardware.com](http://www.luxuryglassandhardware.com)