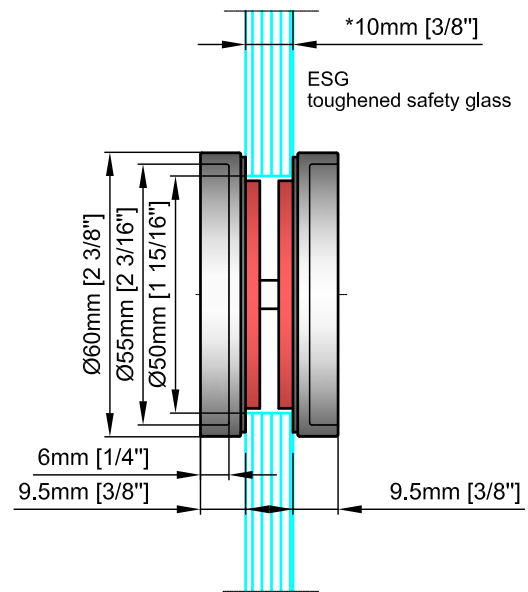
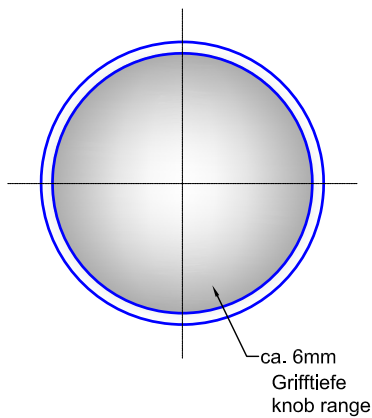


Technical drawings are subject to change without notice. All millimeter dimensions are exact and supersede inch conversions.

Glass to be tempered

*Available for:
8mm [5/16"]
10mm [3/8"]
12.7mm [1/2"] glass thickness



GR.6009 cup pull (for glass doors)

Date Prepared: March 2020

Prepared By: CDA



LUXURY
GLASS & HARDWARE

www.luxuryglassandhardware.com