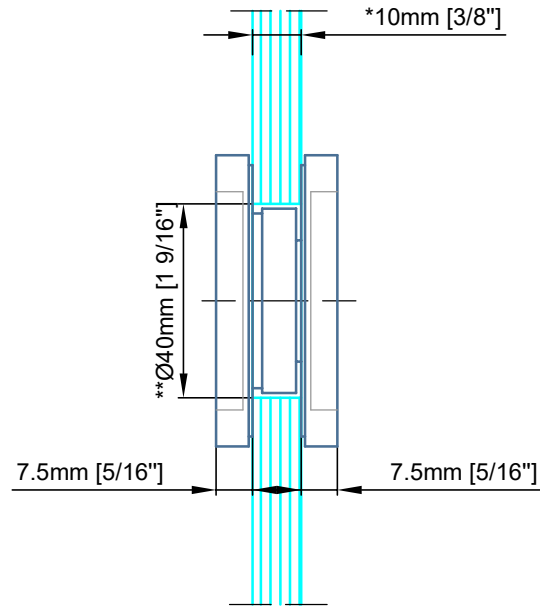
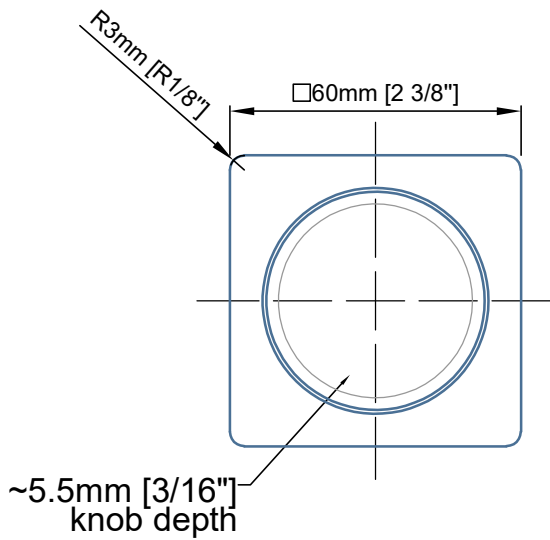


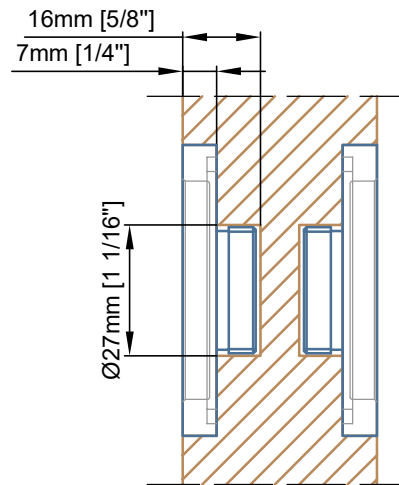
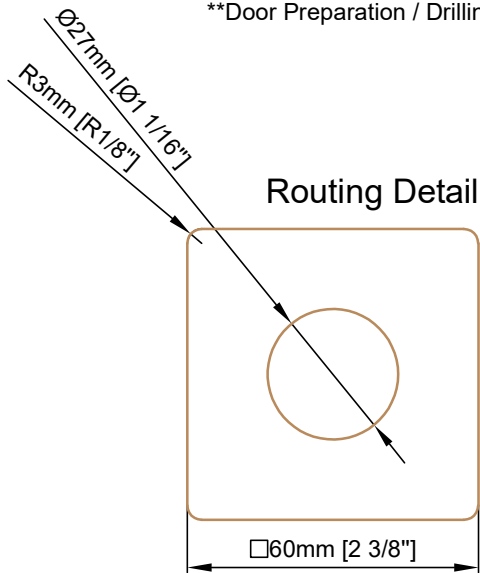
Technical drawings are subject to change without notice. All millimeter dimensions are exact and supersede inch conversions.

**Glass to be tempered**

\*Available for:  
 8mm [5/16"]  
 10mm [3/8"]  
 12.7mm [1/2"] glass thickness



\*\*Door Preparation / Drilling



**GR.6600 cup pull** *(for wood or glass doors)*

Date Prepared: Nov 2018

Prepared By: CDA



**LUXURY**  
 GLASS & HARDWARE

www.luxuryglassandhardware.com