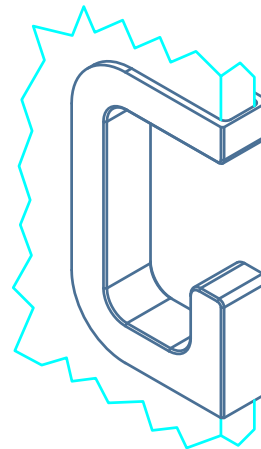
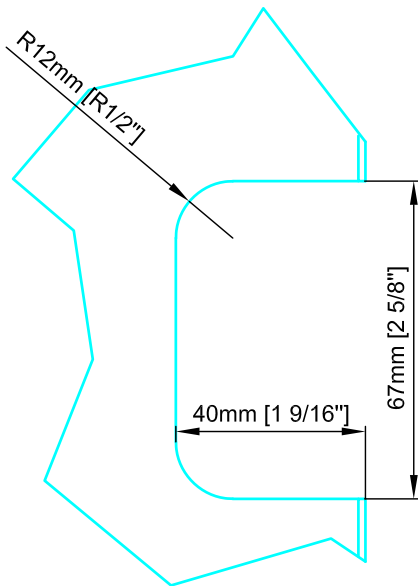
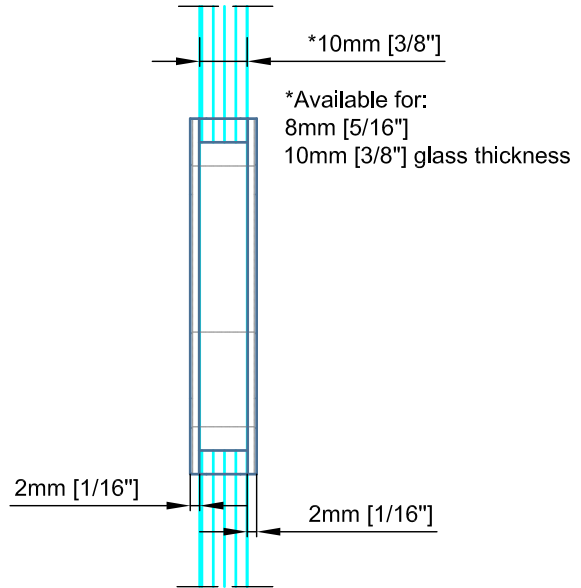
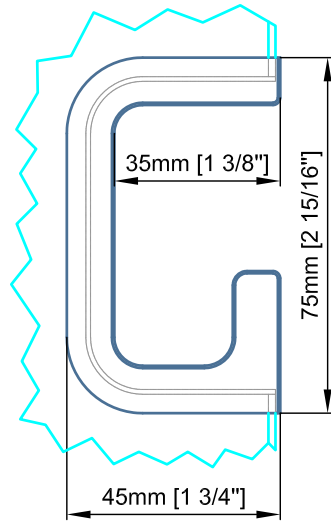


Technical drawings are subject to change without notice. All millimeter dimensions are exact and supersede inch conversions.

**Glass to be tempered**



Glass Prep

**GR.7545 edge/pocket pull** *(for glass doors)*

Date Prepared: Jan 2019

Prepared By: CDA



**LUXURY**  
GLASS & HARDWARE

[www.luxuryglassandhardware.com](http://www.luxuryglassandhardware.com)