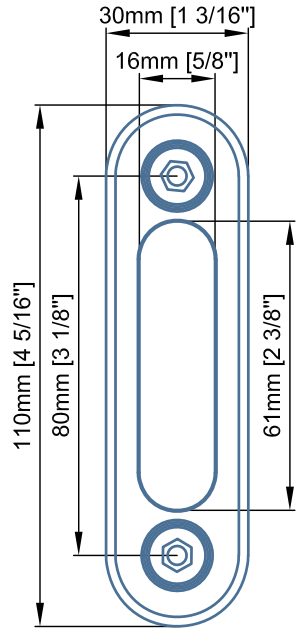
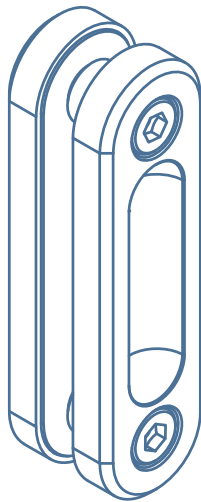
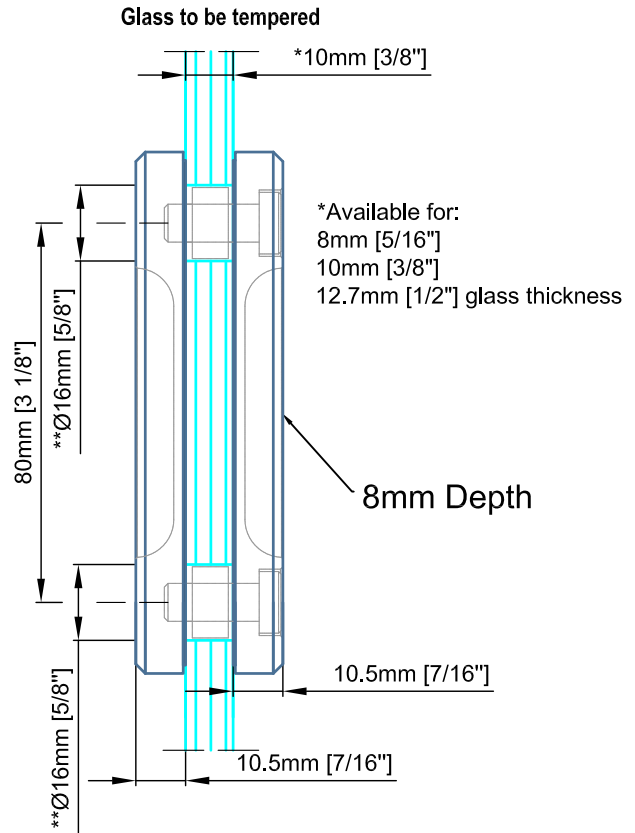


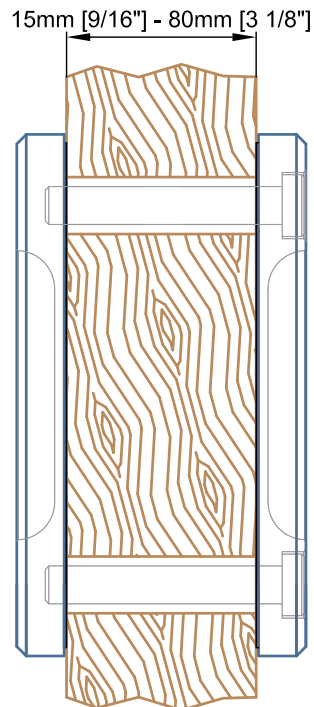
Technical drawings are subject to change without notice. All millimeter dimensions are exact and supersede inch conversions.



**Door Preparation / Drilling



Front View



GR.8030 cup pull *(for wood or glass doors)*

Date Prepared: Jan 2019

Prepared By: CDA



LUXURY
GLASS & HARDWARE

www.luxuryglassandhardware.com